

## **Application Guideline**

### **Comic Category**

#### **[ Theme ]**

Artworks using Hokkaido as a motif (recommended theme: Pediatric Medicine in Northern Japan)

- \* Both story comics and four-frame comic strips are eligible.
- \* Some of the submitted works with the recommended theme may be used for the promotional materials of related projects as decided by the organizer.
- \* Please refer to the website below for information on the recommended theme.  
[\[https://www.pref.hokkaido.lg.jp/ks/bns/189716.html\]](https://www.pref.hokkaido.lg.jp/ks/bns/189716.html)
- \* If you intend to include references to specific countries, groups of people or culture in your work, please conduct thorough research and contact experts or related organizations to ensure that your references are appropriate.
- \* If you are to include a map of Hokkaido in your work, please be mindful that the Northern Territories are part of Japanese territory.

#### **[ Applicant Eligibility ]**

Anybody (Multiple works can be submitted. Co-produce comics are acceptable.)

#### **[ Submitting Rules ]**

- Around 16 to 32 page for story comics
- Around 3 to 5 pages for four-frame comic strips<sup>4</sup>(2 works on 1 page)
- The words must be in Japanese or English. (Add Japanese translation for English as much as possible.)
- The work can be color, monochrome or mixed, but the selection will be done with monochrome.
- The title page (cover) must be on the left when bound on the right.
- Add page number at bottom center.

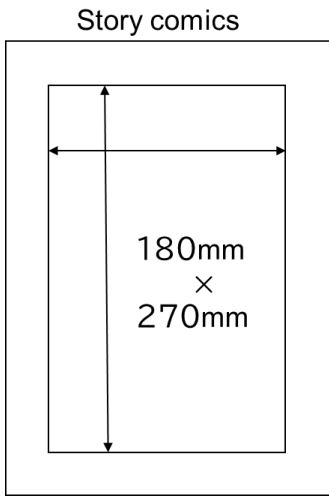
#### **<For Digital Manuscripts>**

- If it is in color, the data must be in jpeg format. (Resolution: 350dpi (original size))
- If it is in monochrome, the data must be in binarized jpeg format. (Resolution: 600dpi or 1,200 dpi (original size))

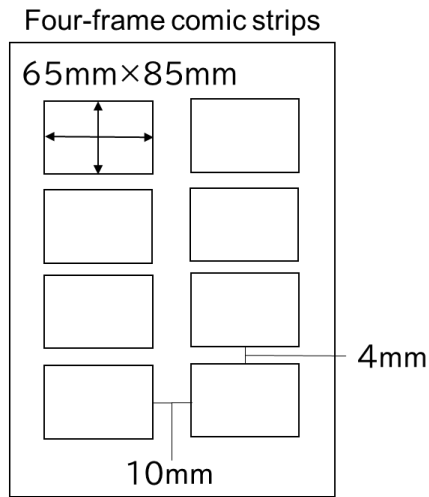
#### **<For Hand Drawn Manuscripts>**

- It has to be a two-dimensional piece on B4 comic manuscript paper or a hand drawn manuscript on Kent paper. (Photocopied manuscripts are not acceptable)
- Works drawn on both sides of paper are not acceptable.
- Works must be drawn with ink or drawing ink. (They need to be clearly photocopied.)
- The title and words must be written clearly with a thick pencil.

#### **Manuscript Size**



B4 size  
257mm  
×  
364mm



## Application Guideline

### Illustration Category

#### [ Theme ]

Artworks using Hokkaido as a motif (recommended theme: Pediatric Medicine in Northern Japan)

Recommended themes:

Attracting new members for the volunteer fire service in Hokkaido

Protecting the beautiful seas of Hokkaido

Shiretoko: World Natural Heritage

Appealing cultural assets of Sapporo

\* If you intend to include references to specific countries, groups of people or culture in your work, please conduct thorough research and contact experts or related organizations to ensure that your references are appropriate.

\* If you are to include a map of Hokkaido in your work, please be mindful that the Northern Territories are part of Japanese territory.

< Image of the work >



## [ Applicant Eligibility ]

Anybody (Multiple works can be submitted. Co-produce comics are acceptable.)

## [ Submitting Rules ]

A work on a sheet of A4 or B4 paper. Any paper can be used and any painting material but oils can be used, and the work can be either in color or monochrome.

3D works including cutout pictures and paste pictures are not acceptable.

<For Digital Works>

-If it is in color, the data must be in jpeg format. (Resolution: 350dpi (original size))

-If it is in monochrome, the data must be in binarized jpeg format. (Resolution: 600dpi or 1,200 dpi (original size))

## How to Submit

### (Both Categories)

## [ Submitting Documents, etc. ]

-Submit a digital or hand drawn manuscript together with the application form for Kita no Manga Taisho. (Submit an application form for each work when you submit multiple works.)

-For digital data, submit a CD-R or a DVD-R together with a printed copy. (Make sure to use B4 paper for comics.)

-Do not fold hand drawn manuscripts. (Photocopied manuscripts are not acceptable.)

-If you use a pen name, announcement of the result will be done with your pen name.

- Award-winning works of the Comic Category, all submitted works of the Illustration Category and all works submitted from overseas shall not be returned.

## [ Close Date ]

Monday, October 28th 2024 (postmark deadline)

## [ Awards ]

### Comic Category

- Hokkaido Prefecture Governor's Award (1 work): a certificate and ¥100,000
- Sapporo City Mayor's Award (1 work): a certificate and ¥50,000
- Special Award (3 works): a certificate and ¥30,000
- U-15 Hokkaido Prefecture Governor's Award (1 work): a certificate and a bookstore gift certificate of ¥15,000
- U-15 Sapporo City Mayor's Award (1 work): a certificate and a bookstore gift certificate of ¥9,000
- U-15 Special Award (2 works): a certificate and a bookstore gift certificate of ¥5,000

### Illustration Category

- Hokkaido Prefecture Governor's Award (1 work): a certificate and ¥50,000
- Sapporo City Mayor's Award (1 work): a certificate and ¥30,000
- Special Award (3 works): a certificate and ¥10,000
- U-15 Hokkaido Prefecture Governor's Award (1 work): a certificate and a bookstore gift certificate of ¥7,000
- U-15 Sapporo City Mayor's Award (1 work): a certificate and a bookstore gift certificate of ¥5,000
- U-15 Special Award (2 works): a certificate and a bookstore gift certificate of ¥3,000

\* There will be more awards of medals, a painting software and Hokkaido food, etc. from supporting companies

## **【On handling of the submitted works】**

- For the comic category of the competition, the judging process is carried out in cooperation with editors of the sponsoring comic magazines. We will provide the editors with information about the author and the artwork if requested. (As permitted by the author.)
- The organizers may use the entirety or parts of a submitted work free of charge on the occasions listed below, and the author agrees to such use. (Copyright of the submitted work remains with its creator.)
- The winning entries will be widely publicized through exhibitions and websites, and utilized on diverse occasions.
- The organizer is considering using the works with the recommended themes.

### Comic category

- Pediatric Medicine in Northern Japan  
Utilized for the promotion of Hokkaido Medical Center for Child Health and Rehabilitation, the only medical center in Hokkaido specialized in pediatric medicine.

### Illustration category

- Attracting new members for the volunteer fire service in Hokkaido  
Use at promotional events, websites, and X  
Providing the work to municipalities and fire departments
- Protecting the beautiful seas of Hokkaido  
Use in public awareness materials
- Shiretoko: World Natural Heritage  
Use in public awareness materials (brochures and pamphlets) distributed at events etc.
- Appealing cultural assets of Sapporo  
Use in public awareness materials

## **[ Results Announcement ]**

Around February 2025 (planned)

Announcement will be made on Hokkaido Government website, etc.

## **[ Delivery Address, Contact Information ]**

### **【Kita no Manga Taisho Office】**

Culture Promotion Section, Culture Promotion Division, Bureau of Cultural Affairs, Department of Environment and Lifestyle, Hokkaido Government

Kita 3-jo Nishi 6-chome, Chuo-ku, Sapporo, Hokkaido, Japan 060-8588

Phone: 011-231-4111 (Extension 24-406)

Email: [kansei.bunka@pref.hokkaido.lg.jp](mailto:kansei.bunka@pref.hokkaido.lg.jp)



# Kita no Manga Taisho Application Form

【Notice】 Minors require parental consent to apply.

\*Office use only

受付番号:

受付年月日: 令和6年 月 日

Category	<input type="checkbox"/> Comic Category		<input type="checkbox"/> Illustration Category	
Title			Number of pages (including the cover)	* Only for Comic Category
Author	Pen Name (Group name)			
	Name (Representative's name)	* In case you are submitting your work as a group, please provide the names of all group members, starting with the name of your representative.		
Work summary	* Please provide a summary of your comic or the intention behind your illustration.			
Contacts  (Please provide a phone number where you can be reached during the day on weekdays (if you are under 18 years of age, please provide the contact information of your parent or guardian).)	〒			
	Phone Number			
	E-Mail			
Birth Date	DD	/MM	/YYYY	(Age: ) *As of January 1, 2025
Occupation or Name of School				
Disclosure of your place of residence and age	Municipality of your residence	Yes / No	* If you choose "No" for the municipality, the organizer will disclose your place of residence as follows: -residence outside of Japan: name of the country -residence within Japan but outside of Hokkaido: name of the prefecture	
	Age	Yes / No	-residence within Hokkaido: name of the region (subprefecture)	
Use of generative AI  (use of generative AI will not affect the evaluation of your artwork)	<input type="checkbox"/> Yes		<input type="checkbox"/> No	
	Application used			
	Parts of the artwork where the application was used			
How did you learn about Kita no Manga Taisho?				

If you are applying for the manga category, please fill out the back page as well.



**Fill in the following fields only when applying for Comic Category.**

<b>Returning of the work</b>	<input type="checkbox"/> Yes <input type="checkbox"/> No <p style="color: red; text-align: center;">*Enclose an envelope with necessary stamps if you want your work returned. (All works submitted from overseas shall not be returned.)</p>
<b>Provision of your information to comic magazine publishers</b>	If comic magazine publishers related to the selection want the information of your work or yourself, do you agree that your information is shared to them? <input type="checkbox"/> Yes <input type="checkbox"/> No
<b>Comments from judges</b>	If there are comments from judges including comic artists and publishers of comic magazines, do you want us to let you know the comments? * We will let you know the comments as they are made including harsh ones. <input type="checkbox"/> Yes <input type="checkbox"/> No